

GPS/GNSS Panel Mount Antenna

GPSP-VAR



GPSP-VAR

- Panel mount GPS/GNSS antenna
- 30dB gain LNA
- Compact, robust housing

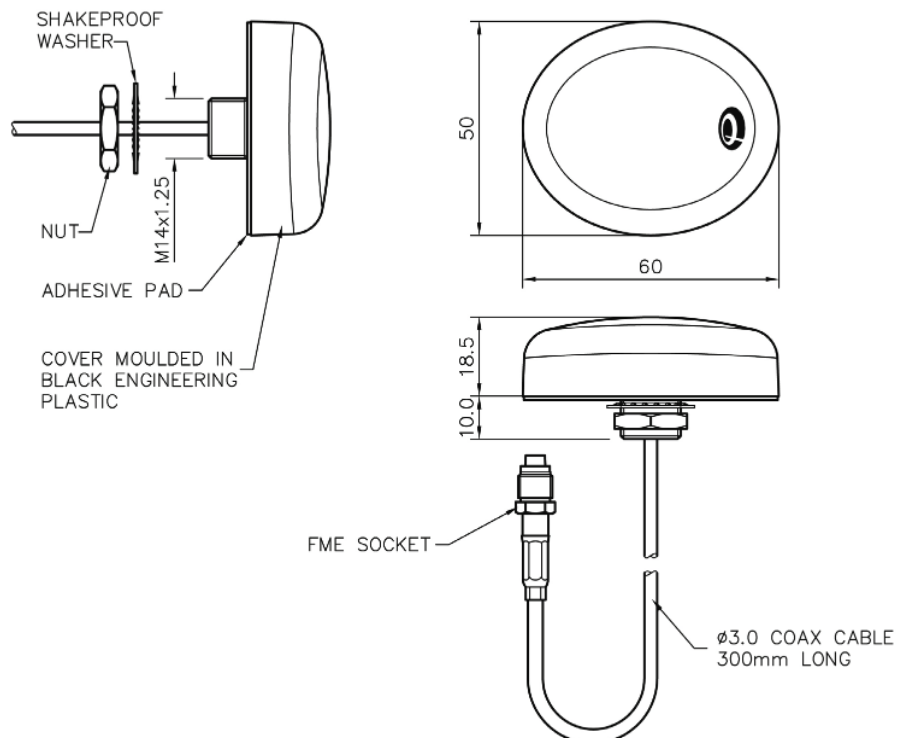
The GPSP series is a high performance panel mount GPS/GNSS antenna with 30dB gain LNA, within a low profile, robust housing.

It is suitable for use with L1 Band systems, including GPS, GLONASS, Galileo and BeiDou.

The antenna is supplied with a 30cm length of RG174 coaxial cable, fitted with fme jack and a range of extension coaxial cable are available to suit all GPS/GNSS devices.

Technical Drawing

GPSP-VAR Shown



GPS/GNSS Panel Mount Antenna GPSP-VAR

Product Data

Part No.		GPSP-F	GPSP-SMAP
GPS Data			
Frequency Range (MHz)		1562-1612	
Impedance		50Ω	
VSWR		<2.0:1 @ 1575MHz ± 4MHz	
Peak Gain (LNA)		30dB	
Polarisation		Right Hand Circular	
Operating Voltage		3 - 5V DC (fed via coax)	
Current		<20mA	
Mechanical Data			
Dimensions (mm)	Base Height	18.5 (0.7")	
	Base Length	60 (2")	
	Base Width	50 (1.9")	
Operating Temp (°C)		-40°/+80°C (-40°/176°F)	
Material		High Impact U.V. Stable A.B.S	
Colour		Black	
Mounting Data			
Fixing		Panel mount	
Hole Size (mm)		15 (5/8")	
Cable Data			
GPS Cable	Type	RG174	
	Diameter (mm)	3 (0.1")	
	Length (m)	0.3 (12")	6 (19.5')
	Termination	FME Socket (f) †	SMA Plug (m) †

† Other cable lengths and connector types available

